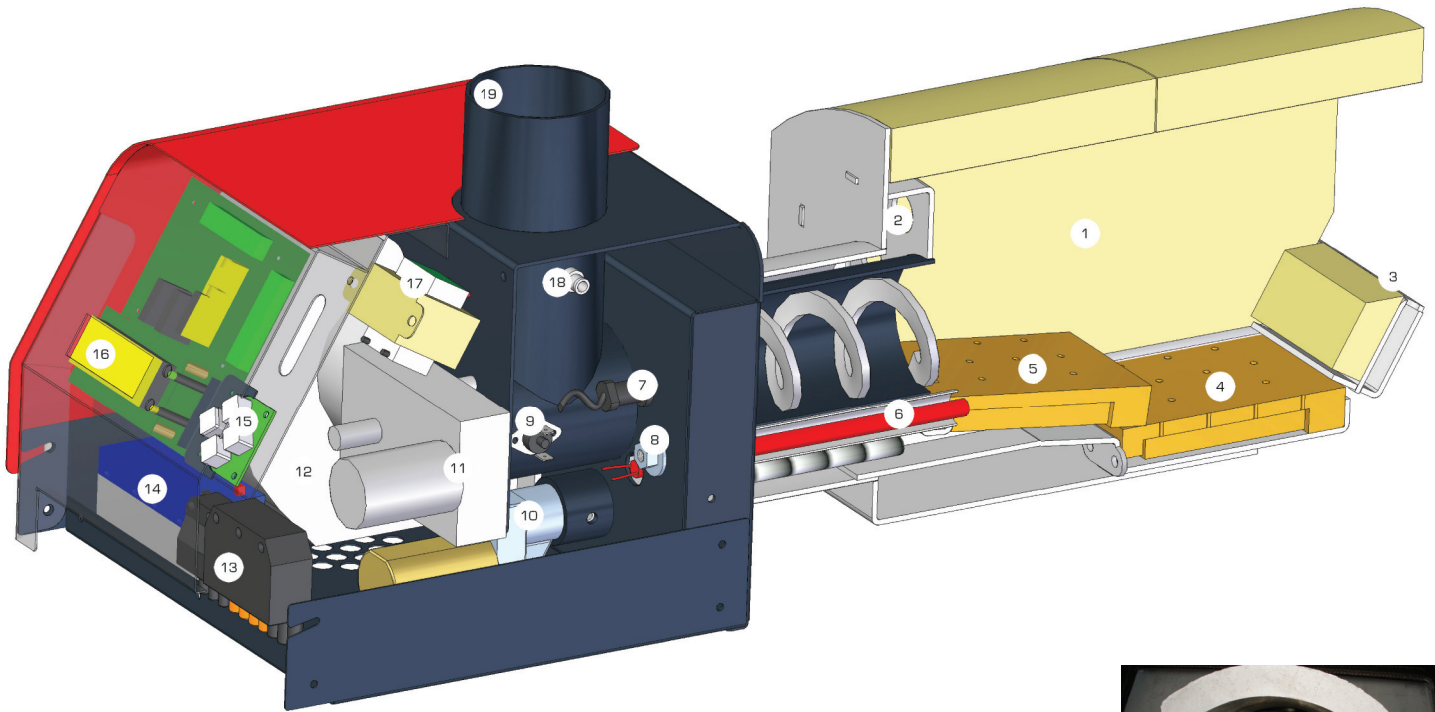
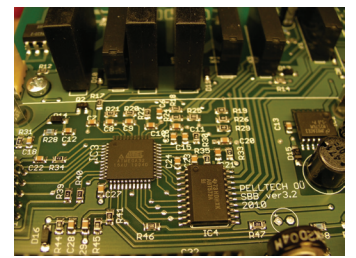
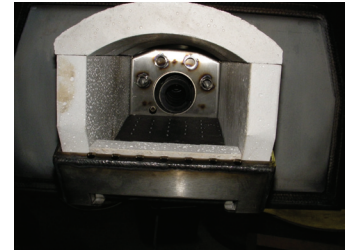


Fully automatic pellet burner PV 100a / PV 180a with ash removal



- | | | |
|----------------------------|--------------------------|-----------------------|
| 1. Ceramic burning chamber | 8. Burner connecting nut | 15. Keyboard |
| 2. Secondary air holes | 9. Safety thermostat | 16. Display |
| 3. Tertiary air holes | 10. Grate moving motor | 17. Mains transformer |
| 4. Moving grate | 11. Feed screw motor | 18. Fuel level sensor |
| 5. Grate | 12. Fan | 19. Fuel inlet |
| 6. Ignitor | 13. Plugs | |
| 7. Flame sensor | 14. Backup battery | |

Fully automatic PV 100a / PV 180a pellet burners are designed to heat smaller industrial buildings. For attaching the burner to a boiler, an ordinary 130mm oil burner flange is used. Because of that, this burner is the best solution also for those houses, where heating with oil is planned to replace with pelletheating. PV 100a / PV 180a burners unique electrical ignition, informative display and automatic output level choice and make using this burner easy and comfortable all year-round. Automatic ash removing system minimizes the time needed for burner maintenance and allows to use also lower quality wood pellets with this burner.



PVa BURNER ADVANTAGES

Burning quality

- **Single-point ignition:** all ignition energy is concentrated to one point for fast and fumeless ignition.
- **Dosing with internal auger** insures unvaried fuel transportation into the burning chamber and thereof also equable burning.
- **Fan speed control** regulates and measures fan rotations to assure exact air distribution in all power levels
- **Intelligent leading:** the burner chooses itself a suitable output power level according to need of warmness
- Heat resistant **ceramic burning chamber** has longer lifetime and is easier to replace. Using a hot burning chamber insures absolute burning, small emissions and high efficiency

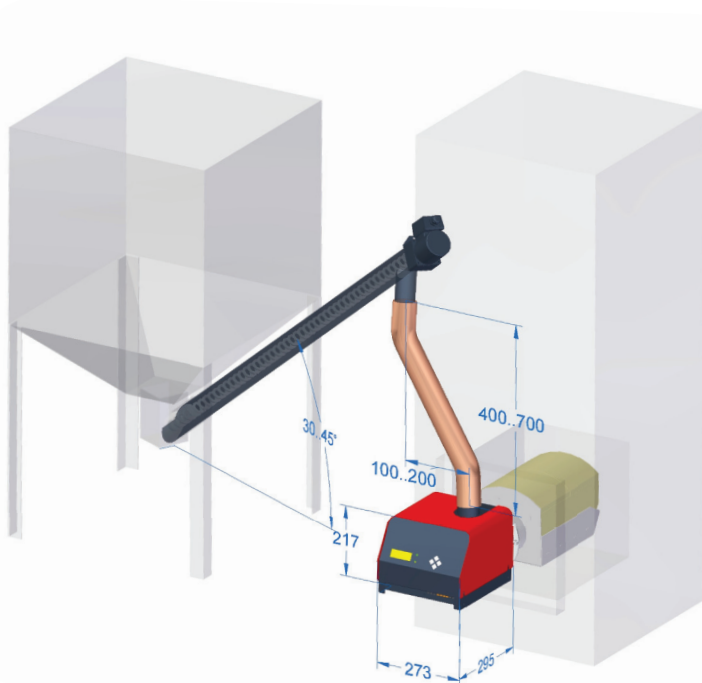
Safety

Protection against back-burning:

- **Safety thermostat**
- Periodic work of **internal auger** in standby mode
- **Melting hose**
- **Backup battery** insures that in case of power interruption the burner cleans up to avoid backburning
- In case of no draught or burner blockage the **burner turns itself off**
- **Error output relay:** in case any external device is connected, relay switches it on/off in case of burner error.

User friendliness

- **Interface:** the burner gives clear information about the instant activity and shows tooling parameters on the screen
- **Compatibility with oil boilers:** the burners are compatible with oil boilers by mounting and by electric connection
- **Fuel level control:** because of the dosing internal fuel amount it is not necessary to measure the productivity of external auger or to fill the auger manually after the burner runs out of fuel
- **Automatic ash removal:** periodically cleans burning chamber
- **Hold flame option:** gives a possibility to hold small flame in burning chamber and saves energy by avoiding several ignitions.
- **Fuel amount counter:** counts the total amount of fuel burned with this burner and shows also fuel amount burned in certain time period.
- It is possible to add **temperature sensor of boiler.**



PV 100a / PV 180a

| | | |
|---------------------------|------------------|------------------|
| Capacity: | 50-100 kW | 80-180 kW |
| Power levels: | 6 | 6 |
| Fuel: | Wood pellets | Wood pellets |
| Ignition: | Electrical, 500W | Electrical, 500W |
| Power supply: | 230V, 50 Hz, 3A | 230V, 50 Hz, 3A |
| Power consumption: | 30-80W (average) | 40-110 (average) |
| | 3 W (standby) | 3 W (standby) |
| Ash removal | Automatic | Automatic |
| Noice level | 58 dB | 58 dB |
| O₂ | 5-8% | 5-8% |
| CO | <100ppm | <100ppm |

Dimensions :

| | | |
|---------------|--------|--------|
| Length | 746 mm | 746 mm |
| Width | 297 mm | 340 mm |
| Height | 283 mm | 283 mm |
| Weight | 38 kg | 40 kg |

Burning chamber dimensions :

| | | |
|---------------|--------|--------|
| Length | 331 mm | 331 mm |
| Width | 230 mm | 310 mm |
| Height | 221 mm | 241 mm |

Manufacturer:

Pelltech OÜ

Töökoja 1
Tallinn 11313, Eesti

www.pelltech.eu
info@pelltech.eu
tel. +372 6775277
fax. +372 6775288

Reseller: