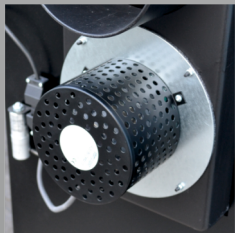
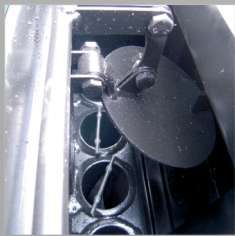
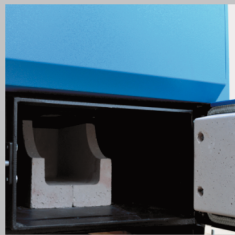
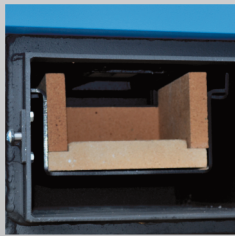




MA

Gasifying boilers MA

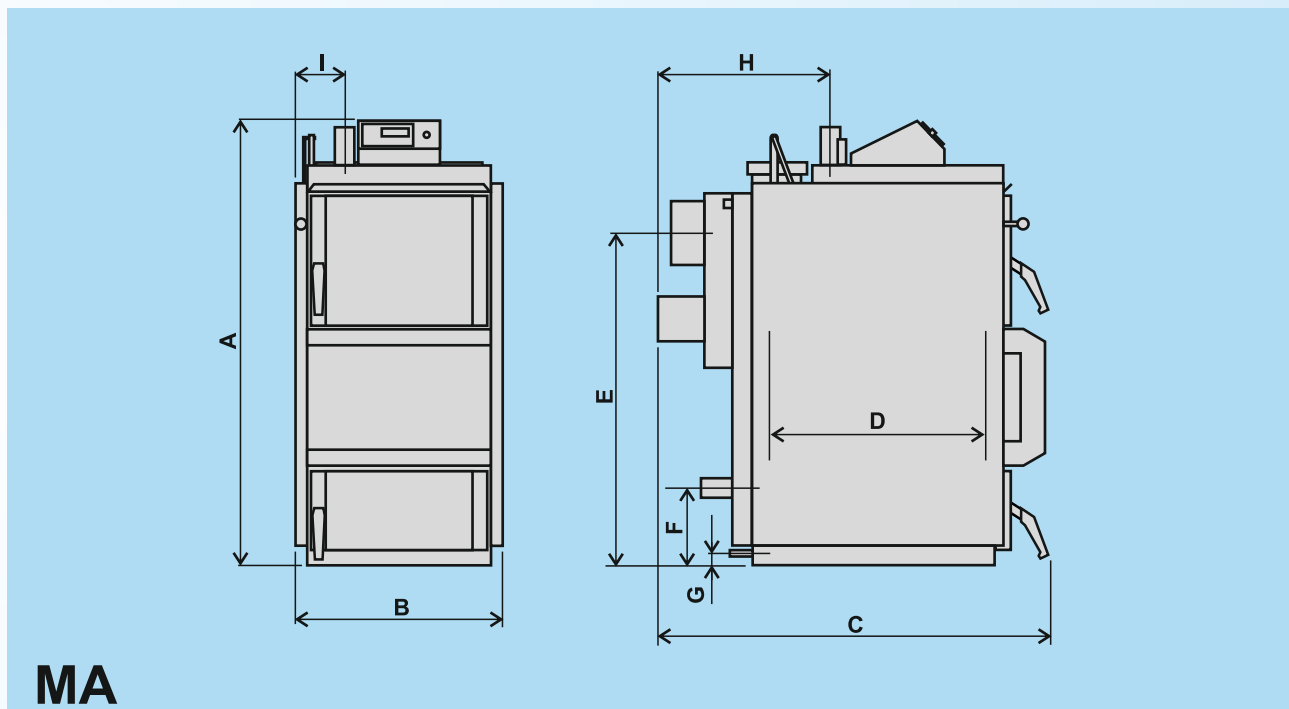


- **High efficiency**
- **Large piece of wood and wood waste combustion**
- **Simple operation and cleaning**
- **Multi-lingual electronic control unit**
- **Long burn time / 8-12 hours /**
- **Powerful exhaust fan**
- **Automatic switch fan off and switch pump off in case the fuel runs out**
- **High Quality ceramic blocks - long life**
- **Standard and Premium version of Boiler with PID control**
- **High heating comfort with accumulation tanks**
- **Minimum operation time needed**

We are glad to present Eco-friendly wood gasification boilers, made in Slovak republic. The boilers are designed and constructed from high quality materials. The boiler body is made of steel sheets as a weldment. The inner part is made up of boiler steel plate with a thickness of 6 mm. MA Series boilers combustion principle differs significantly from conventional solid fuel boilers. Combustion process works on the principle of generating gasification at extremely high temperature (1100 ° C). The combustion process of wood gas is supported by a suction fan that sucks air firstly into the combustion chamber and secondary into the nozzle. This high efficient combustion system can save up to 40% of common fuel costs. Normally the boilers are equipped with a safety cooling exchanger against overheating. The MAGA Boilers meet the European Standard EN 303-5:2001 and they meet its top criteria for the strictest III. Emission class.

www.magasro.sk

Technical parameters



MA

Type of boiler		MA 15	MA 20	MA 25	MA 31	MA 40	MA 49	MA 80
Dimension: A	mm	1120	1120	1210	1210	1290	1290	1425
B	mm	570	570	570	620	620	730	730
C	mm	1000	1140	1140	1140	1140	1170	1380
D	mm	400	550	550	550	550	550	700
E	mm	850	850	945	945	1030	1030	1160
F	mm	200	200	205	205	295	190	250
G	mm	45	45	45	45	45	45	45
H	mm	470	430	430	430	430	450	560
I	mm	170	170	170	195	195	255	210
Power	kW	14,9	20	25	31	40	49	80
The volume of the fuel chamber(tray)	dm ³	80	100	125	140	140	190	300
Chimney draw	Pa	10-15	15-20	15-20	15-20	15-20	15-20	20-25
Flue (diameter)	mm	160						
Connection		Pipethreaded 6/4"						2"
Weight	kg	310	350	380	430	510	550	810
Input	W	77						
The efficiency	%	85 - 89						
Fuel		Dry wood with a water content of up to 20%						
Approximate fuel consumption in the season	prm	12-18	15-20	20-22	25-30	31-37	38-45	70-80

Maga , s.r.o. is not responsible for printing errors

MANUFACTURER:
MAGA s.r.o., Samuela Kollára 86
979 01 Čerenčany – Rimavská Sobota
Slovak Republic
 Mobil: 00421 917465298
 Tel.: 00421- 47 56 34 798
 e-mail: sales@magasro.sk
www.magasro.sk

DEALER:

